



LINCOLN

MERCURY

**GENUINE
PARTS & SERVICE****Owner
Advantage™**

Rewards Member #: _____

Rewards Service Balance: _____

Multi-Point Inspection Report Card as Recommended by Ford Motor Company

Name: _____

E-Mail Address: _____

Today's Date: _____ RO/Tag: _____ State Inspec. Month: _____

Make/Model/Year: _____ Mileage: _____

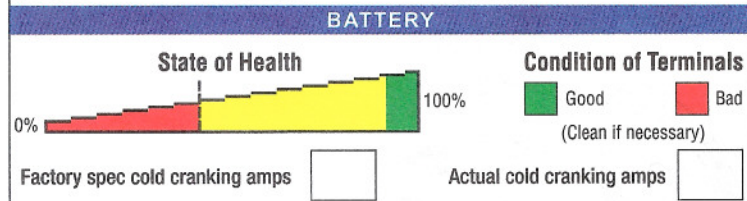
VIN #: _____ Plate #: _____

SCHEDULED MAINTENANCE ITEMS DUE FOR SERVICING ON THIS VISIT*			
DUE	SERVICED	DUE	SERVICED
<input type="checkbox"/> Cabin Air Filter	<input checked="" type="checkbox"/>	<input type="checkbox"/> Oil Filter	<input checked="" type="checkbox"/>
<input type="checkbox"/> Engine Air Filter	<input checked="" type="checkbox"/>	<input type="checkbox"/> Spark Plugs	<input checked="" type="checkbox"/>
<input type="checkbox"/> Engine Coolant	<input type="checkbox"/>	<input type="checkbox"/> Tire Rotation	<input checked="" type="checkbox"/>
<input type="checkbox"/> Fuel Filter	<input type="checkbox"/>	<input type="checkbox"/> Transmission Filter	<input type="checkbox"/>
<input type="checkbox"/> Oil Change	<input checked="" type="checkbox"/>	<input type="checkbox"/> Transmission Fluid	<input checked="" type="checkbox"/>

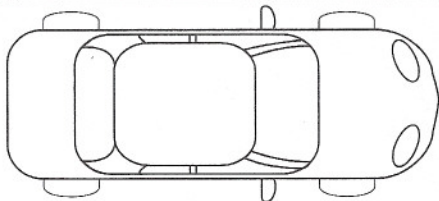
*This is only a partial list of vehicle maintenance items and is NOT all-inclusive. Please consult your Owners Manual or visit www.genuineservice.com for vehicle specific maintenance requirements.

CHECK FLUID LEVELS AND FILL	SERVICED
<input checked="" type="checkbox"/> Oil and/or fluid leaks	<input type="checkbox"/>

<input type="checkbox"/> OK <input type="checkbox"/> FILL Engine Oil	<input type="checkbox"/> OK <input type="checkbox"/> FILL Power Steering	<input type="checkbox"/> OK <input type="checkbox"/> FILL Transmission (if equipped with dipstick)
<input type="checkbox"/> Brake Reservoir	<input type="checkbox"/> Window Washer	<input type="checkbox"/> Coolant Recovery Reservoir



EXTERIOR BODY
Note any existing exterior body damage or defects on diagram



SYNC VEHICLE HEALTH REPORT (VHR)	ACTIVATED
VHR Activation <input type="checkbox"/> Yes <input type="checkbox"/> No <input type="checkbox"/> N/A	<input type="checkbox"/>

LEGEND	Contributes to vehicle efficiency and a green environment		
<input checked="" type="checkbox"/>	Checked and OK at this time	<input type="checkbox"/>	May require future attention
<input type="checkbox"/>		<input type="checkbox"/>	Requires immediate attention

CHECK FOLLOWING SYSTEMS/COMPONENTS		SERVICED
BRAKE SYSTEM		
<input checked="" type="checkbox"/>	Brake system (including lines, hoses, and parking brake)	<input checked="" type="checkbox"/>
STEERING AND SUSPENSION		
<input type="checkbox"/>	Shocks/struts and other suspension components for leaks and/or damage	<input type="checkbox"/>
<input type="checkbox"/>	Steering, steering linkages and ball joints	<input type="checkbox"/>
EXHAUST SYSTEM		
<input checked="" type="checkbox"/>	Exhaust system (leaks, damage, loose parts)	<input checked="" type="checkbox"/>
TRANSMISSION AND DRIVE AXLE		
<input type="checkbox"/>	Clutch operation (if equipped)	<input type="checkbox"/>
<input type="checkbox"/>	Constant velocity (CV) drive axle boots (if equipped)	<input type="checkbox"/>
<input type="checkbox"/>	Drive shaft, transmission, u-joint and shift linkage (if equipped) and lubricate (as needed)	<input type="checkbox"/>
LIGHTS/BLADES/WINDSHIELD		
<input type="checkbox"/>	Operation of horn, interior lights, exterior lamps, turn signals, hazard and brake lamps	<input type="checkbox"/>
<input type="checkbox"/>	Windshield washer spray, wiper operation and wiper blades	<input type="checkbox"/>
<input type="checkbox"/>	Windshield for cracks, chips and pitting	<input type="checkbox"/>
BELTS/HOSES/MOUNTS		
<input type="checkbox"/>	HVAC system and hoses/lines for leaks and/or damage	<input type="checkbox"/>
<input type="checkbox"/>	Engine Cooling system, radiator, hoses and clamps	<input type="checkbox"/>
<input type="checkbox"/>	Accessory drive belt(s)	<input type="checkbox"/>

TIRE/BRAKE WEAR			
TIRE TREAD	7/32" and greater	4/32" to 6/32"	3/32" and less
BRAKE LINING	Over 5mm or 7/32" (Disc) or Over 2mm or 3/32" (Drum)	3 to 5mm or 4/32" to 7/32" (Disc) or 1.01 to 2mm (Drum) or 2/32" to 3/32"	Less than 3mm or 4/32" (Disc) or 1mm or 2/32" or less (Drum)



TIRE WEAR INDICATES:	SERVICED
<input type="checkbox"/> Alignment check needed	<input type="checkbox"/>
<input type="checkbox"/> Wheel balance needed	<input type="checkbox"/>
<input type="checkbox"/> Tire repair needed	<input type="checkbox"/>
<input type="checkbox"/> Brake measurements not taken this service visit	<input type="checkbox"/>

LEFT FRONT	SERVICED
<input type="checkbox"/> Tire Tread Depth _____/32"	<input type="checkbox"/>
<input type="checkbox"/> Tire Wear Pattern/Damage & Valve Stem	<input type="checkbox"/>
<input type="checkbox"/> Tire Pressure - set to factory recommended PSI	<input type="checkbox"/>
<input type="checkbox"/> Brake Lining _____ mm _____/32"	<input type="checkbox"/>
LEFT REAR	SERVICED
<input type="checkbox"/> Tire Tread Depth _____/32"	<input type="checkbox"/>
<input type="checkbox"/> Tire Wear Pattern/Damage & Valve Stem	<input type="checkbox"/>
<input type="checkbox"/> Tire Pressure - set to factory recommended PSI	<input type="checkbox"/>
<input type="checkbox"/> Brake Lining _____ mm _____/32"	<input type="checkbox"/>

RIGHT FRONT	SERVICED
<input type="checkbox"/> Tire Tread Depth _____/32"	<input type="checkbox"/>
<input type="checkbox"/> Tire Wear Pattern/Damage & Valve Stem	<input type="checkbox"/>
<input type="checkbox"/> Tire Pressure - set to factory recommended PSI	<input type="checkbox"/>
<input type="checkbox"/> Brake Lining _____ mm _____/32"	<input type="checkbox"/>
RIGHT REAR	SERVICED
<input type="checkbox"/> Tire Tread Depth _____/32"	<input type="checkbox"/>
<input type="checkbox"/> Tire Wear Pattern/Damage & Valve Stem	<input type="checkbox"/>
<input type="checkbox"/> Tire Pressure - set to factory recommended PSI	<input type="checkbox"/>
<input type="checkbox"/> Brake Lining _____ mm _____/32"	<input type="checkbox"/>

Comments: _____

Service Advisor: _____ Customer Signature: _____

Technician: _____



LINCOLN

MERCURY

GENUINE PARTS & SERVICE

Multi-Point Inspection Report Card



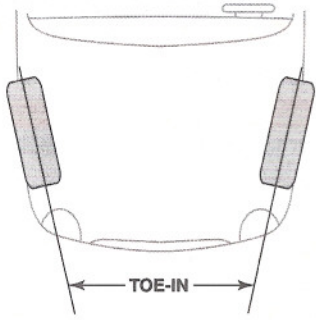
TOE WEAR

"Feathered" tread wear pattern suggests that tires are turned in or out too far. Signals need for alignment. May be caused by worn shocks/struts.

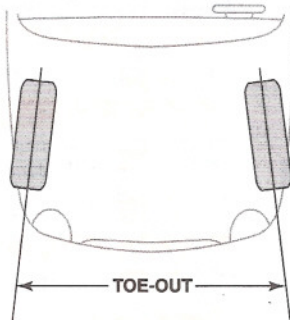


CAMBER WEAR

Exaggerated wear on inner or outer edge of tire indicates that tires are tilted in or out too far (from vertical). Signals need for alignment. May be caused by worn shocks/struts.



TOE-IN



TOE-OUT

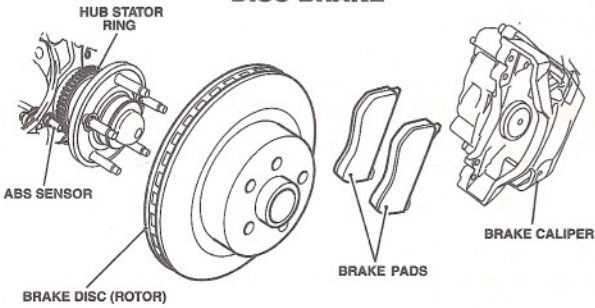


POSITIVE CAMBER



NEGATIVE CAMBER

DISC BRAKE



HUB STATOR RING

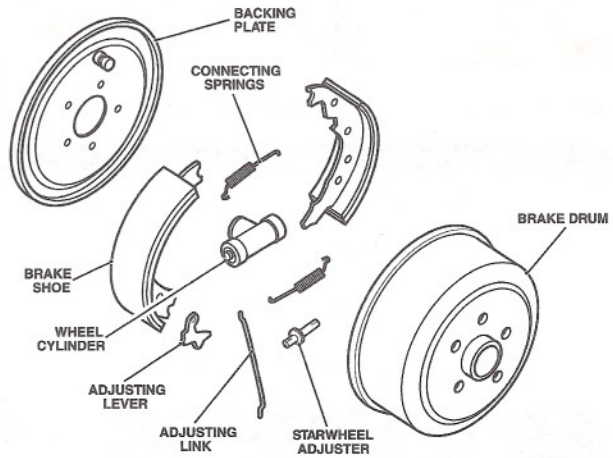
ABS SENSOR

BRAKE DISC (ROTOR)

BRAKE PADS

BRAKE CALIPER

DRUM BRAKE



BACKING PLATE

CONNECTING SPRINGS

WHEEL CYLINDER

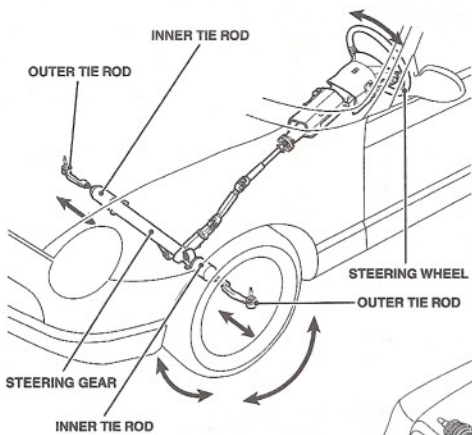
ADJUSTING LEVER

ADJUSTING LINK

STARWHEEL ADJUSTER

BRAKE DRUM

SUSPENSION



INNER TIE ROD

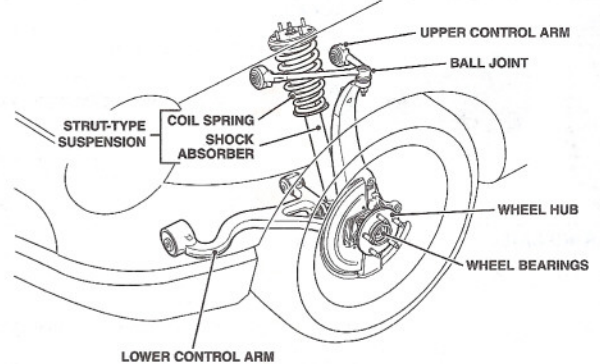
OUTER TIE ROD

STEERING WHEEL

OUTER TIE ROD

STEERING GEAR

INNER TIE ROD



UPPER CONTROL ARM

BALL JOINT

STRUT-TYPE SUSPENSION

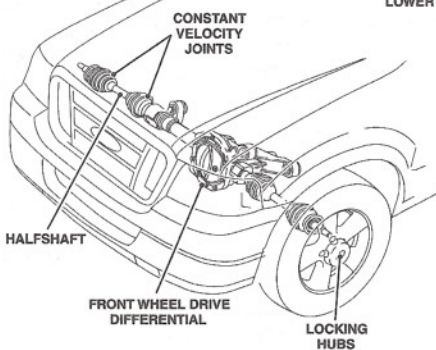
COIL SPRING

SHOCK ABSORBER

WHEEL HUB

WHEEL BEARINGS

LOWER CONTROL ARM



CONSTANT VELOCITY JOINTS

HALFSHAFT

FRONT WHEEL DRIVE DIFFERENTIAL

LOCKING HUBS